

AGRICULTURAL SAFETY TOPICS

FARM POND SAFETY

Objective:

To become aware of the dangers associated with farm ponds.

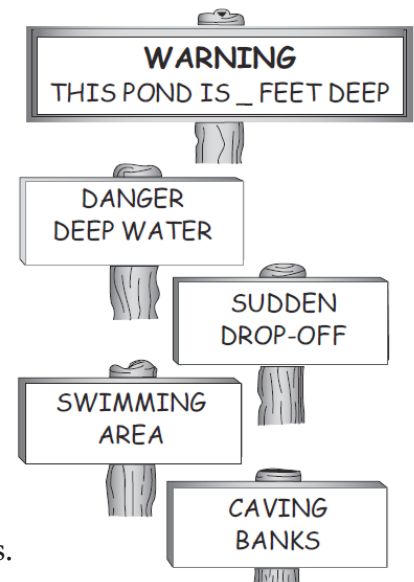
Background:

A farm pond is used to control soil erosion and flooding and to provide water for recreational purposes, livestock, irrigation, fire protection, and fish production. In most cases, it is recommended that ponds be fenced in and have posted “KEEP OUT” signs. A drowning is more likely to occur when protective barriers are absent. It is the farmer’s responsibility to ensure that the farm pond is as safe as possible.

Accidents can be prevented and lives saved by warning signs. Mark dangerous areas. Farm ponds used for swimming should have a secure rescue post near the water. The post should be painted yellow and be equipped with a buoy and reaching pole. The buoy should be attached to a piece of nylon rope long enough to reach across the pond. If a swimmer is in trouble remember to use the reaching pole first. Throw the buoy as a second attempt. A rescuer should only enter the water as a last resort! Attach a notice of the location of the nearest phone and the local emergency number on the post.

Rules for Farm Pond Safety

- When children are swimming an adult should be present.
- Never swim alone, even the best swimmers get into trouble.
- General water safety education should be arranged for all pond users.
- Piers and boat landings should be well built and securely braced.
- Rescue equipment (reaching pole, rope, buoy) should be readily available.
- Water should be approved by local health department.
- Fence the pond and lock the gate.



AGRICULTURAL SAFETY TOPICS – FARM POND SAFETY

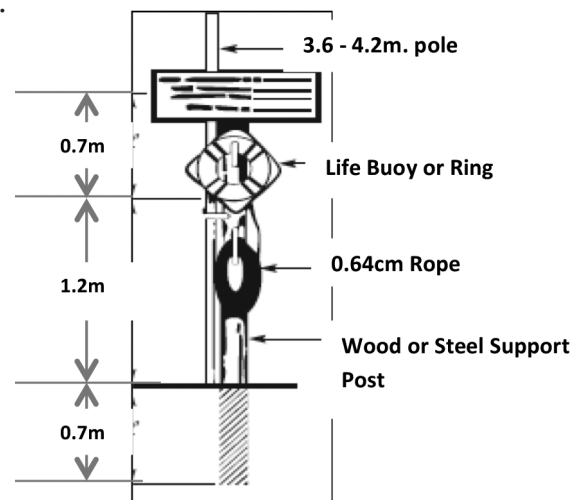
- Keep the recreational area free of debris.
- Mark deep and/or unsafe swimming areas with floats.
- Air mattress and inner tubes can be hazards.

If boating on the farm pond:

- Ensure that the boat is safe and in good condition.
- Never overload the boat. Even a good quality boat can sink.
- Have a life preserver on board for each person on board.
- Follow all approved water safety rules.

Review the Following Points:

- Offer general water safety education to all employees.
- Place warning signs around the pond and if possible, install a fence.
- Know how to give artificial respiration.
- Never swim alone. Even good swimmers can drown.
- Install a rescue post.



Ohio State University Extension. *Pond Safety*. Retrieved from website <http://ohioline.osu.edu/atts/modules.html>

© Workplace Safety & Prevention Services 2014. Workplace Safety & Prevention Services (WSPS) grants permission to approved end users to reproduce this document in whole or in part, provided its intended use is for non-commercial, educational purposes and that full acknowledgement is given to the WSPS. Approved end users are firms registered with the Workplace Safety and Insurance Board. WSPS reserves the right to extend this permission to other stakeholders and interested parties by express written permission upon application. WSPS extends no warranty to materials amended or altered by the end user. Under no circumstances is this document, or any portion thereof, to be duplicated for purposes of sale or for external reproduction or distribution.

(Sample WSPS acknowledgement, "Reproduced or adapted from name of solution with permission of Workplace Safety & Prevention Services, Mississauga, Ontario.")

The information contained in this reference material is distributed as a guide only. It is generally current to the best of our knowledge as at the revision date, having been compiled from sources believed to be reliable and to represent the best current opinion on the subject. No warranty, guarantee, or representation is made by WSPS as to the absolute correctness or sufficiency of any representation contained in this reference material. WSPS assumes no responsibility in connection therewith; nor can it be assumed that all acceptable safety measures are contained in this reference material, or that other or additional measures may not be required in particular or exceptional conditions or circumstances.

Revised: November 2014